

Specification

No. 4037	Make NISSAN		Vehicle SKYLINE		Model GF-ER34		Score 4	
	First Registration 1999 / 7 M	Displacement 2500 cc	Type · Door 2D	Grade 25GT		<div style="border: 1px solid black; border-radius: 50%; padding: 2px; display: inline-block;">2WD</div> · 4WD		Interior Score
Engine Model : RB25DE			Engine : <div style="border: 1px solid black; border-radius: 50%; padding: 2px; display: inline-block;">NA</div> TURBO		Model No. : 09057		Classification No. : 0105	

Inspection Valid (Shaken) : X			Shift Type AT		OEM Parts	S R	<div style="border: 1px solid black; border-radius: 50%; padding: 2px; display: inline-block;">OEM AW</div>	<div style="border: 1px solid black; border-radius: 50%; padding: 2px; display: inline-block;">P S</div>	<div style="border: 1px solid black; border-radius: 50%; padding: 2px; display: inline-block;">P W</div>
Mileage 1 1 0 , 2 5 8 Km Mile			AC Type AC		Passenger 5 Seater				
Body Color	Base Color Silver	Color Change →	Color Code : KR4		Maintenance Book	Recycling 12,660 JPY			
Fuel	<div style="border: 1px solid black; border-radius: 50%; padding: 2px; display: inline-block;">Gasoline</div> Diesel Fuel · ()		Interior Color : G		Y · <div style="border: 1px solid black; border-radius: 50%; padding: 2px; display: inline-block;">N</div>				

◎ Specification		
OEM ALTIA Aero		
PANASONIC ETC		
No Repair Record!		

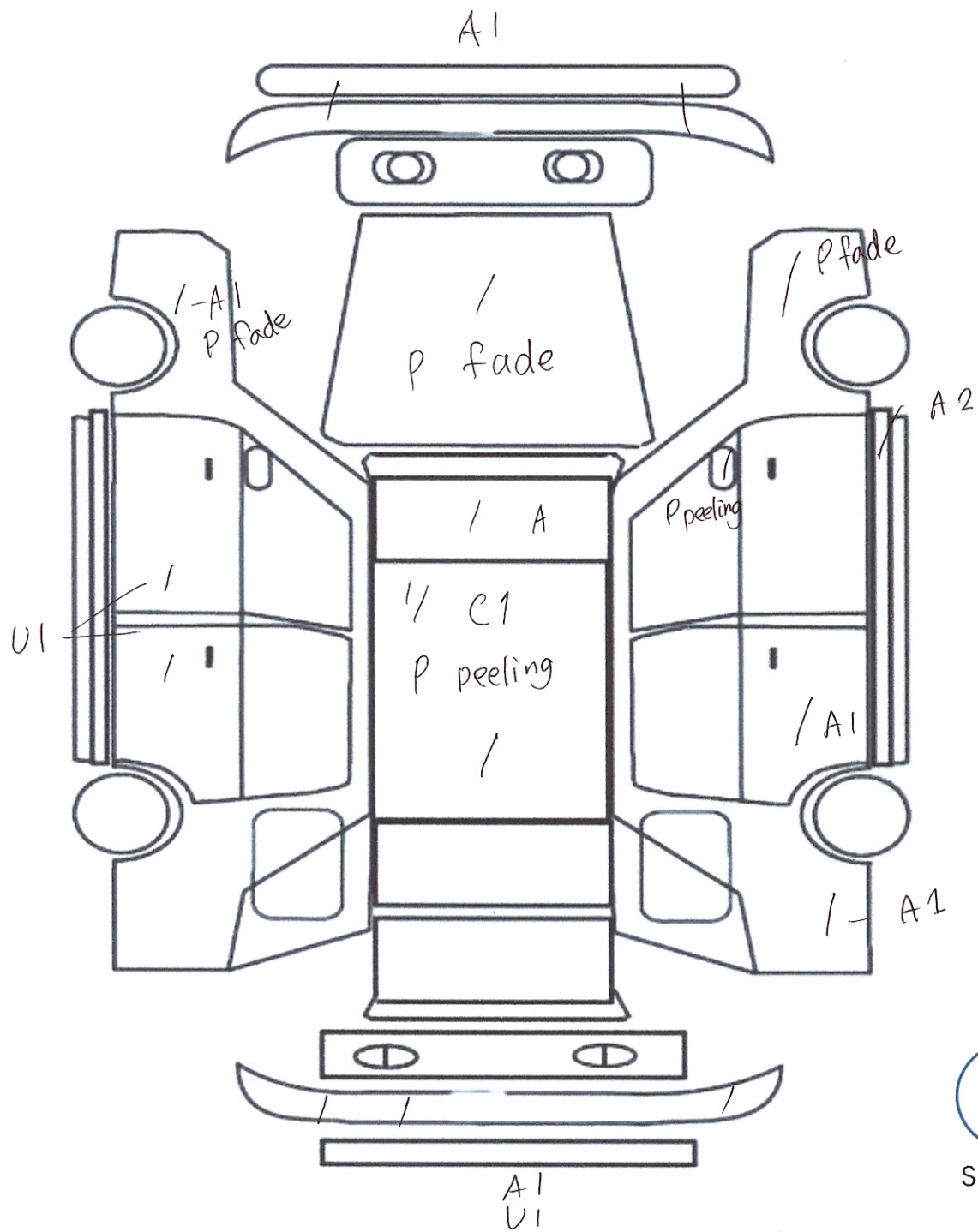
◎ Trust Kikaku Inspection Report		
Battery needs replacement		
Alternator needs replacement		
Has scuffs and peelings on steering wheel.		
Has scuffs and worn on seats.		
Side emblems are missing.		
Car underbody is rusty.		
Has color fade on exterior.		

DEFECT REPORT

◎ Scar • Dent • Repir Part	◎ Electronic
Front Bumper has scuffs and scratches.	Battery needs replacement.
Has color fade and stains on overall the exterior.	Alternator needs replacement.
Right door mirror has paint peeling.	
Side step has scratches.	
Has scratches on right door.	
Has scuffs on right rear fender.	
Has scuffs and peeling on steering wheel.	
R & L seats has scuffs and worn.	
Has rust and clear coating peeling on roof.	
Has dent on left door.	

OTHER**RECOMMEND POINT**

Side emblems are missing.	Normal car.
Car underbody is rusty.	OEM ALTIA Aero



A	Scar
U	Dent
B	Scar & Dent
P	Repaint Required
W	Repair Mark
S	Rust
C	Corrosion
G	Stone Chip
X	Replacement required
XX	Replaced