



# Vehicle Report

## Specification

No. <b>4180</b>	Make <b>NISSAN</b>		Vehicle <b>SKYLINE</b>		Model <b>E-BNR32</b>		Score <b>R</b>	
	First Registration <b>1994 / 11 M</b>	Displacement <b>2600 cc</b>	Type · Door <b>2D</b>		Grade <b>GT-R</b>	2WD · <b>4WD</b>		Interior Score <b>C</b>
	Engine Model : <b>RB26DETT</b>		Engine : NA / <b>TURBO</b>		Model No. : <b>06134</b>	Classification No. : <b>0015</b>		

Inspection Valid (Shaken) : <b>×</b>				Shift Type <b>5F</b>		OEM Parts	S R Leather Seat	OEM AW T V	P S Navi	P W Airbag
Mileage	1	7	4	9	9	1	Km Mile * <b>4</b>		Passenger Seater	
Body Color	Base Color <b>White</b>		Color Change →		Color Code : <b>326</b>		AC Type <b>AAC</b>	Recycling		
Fuel	<b>Gasoline</b>		Interior Color : <b>G</b>		Maintenance Book <b>Y · N</b>	<b>9,630</b>		JPY		

◎ Specification	Pro Drive	
Front & Rear Brembo Caliper	18 Inch Aluminum Wheels	
BNR34 Master Cylinder and Turbine		
Nismo Stabilizer Front & Rear		
Nismo Side Shell		
Nismo Front & Rear Upper Arm		
Nismo Rear Traction Arm		
Nismo Rear Lower Arm		
Nismo Front Duct		
Nismo Mini Spoiler		
HKS Intercooler and Piping		
HKS Power Flow		
HKS Oil Cooler		
HKS FVS		
HKS Hyper Max 3		
Aftermarket LED Tail Lamp		

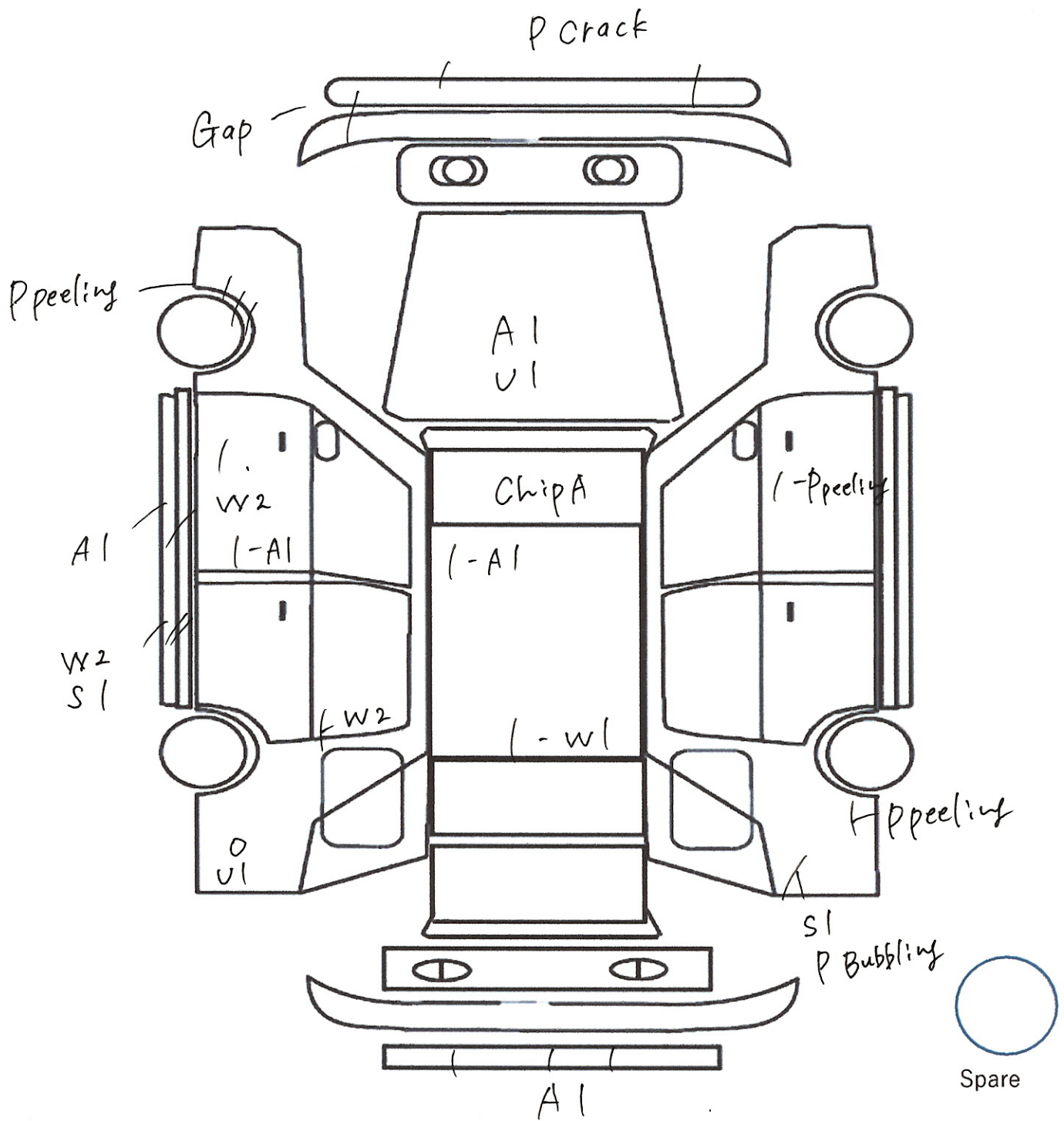
◎Trust Kikaku Inspection Report		
Left door mirror lens isn't in good condition.		
Has hole on console.	Has repair record on rear right side.	
Has drilled screw holes on dash panel.	Has abnormal sound from left front fender.	
Has scuff and stains on seat.		
Audio is installed by modifying dash panel.		
Steering wheel is shaky.		
Right front indicator wasn't lit.		
Car underbody is rusty.		
Has distortion on rear floor.		
Slow in power folding in right door mirror.		

**DEFECT REPORT**

☉ Scar • Dent • Repair Part	☉ Electronic
Has hole on console.	Right front indicator wasn't lit.
Has drilled screw holes on dash panel.	Right door mirror power folding need more time.
Has scuffs and stains on seat.	Left door mirror lens is loosen.
Left rear fender was replaced.	
Has repair record on rear right side.	
Has scratches and cracks overall.	
Repaired surface has unevenness.	
Has dent on left rear fender.	

**OTHER****RECOMMEND POINT**

Audio is attached by modifying the dash panel.	
Steering wheel is shaky.	



A	Scar
U	Dent
B	Scar & Dent
P	Repaint Required
W	Repair Mark
S	Rust
C	Corrosion
G	Stone Chip
X	Replacement required
XX	Replaced

4180