



Vehicle Report

Specification

No. 4308	Make MITSUBISHI		Vehicle LANCER		Model GF-CP9A		Score R	
	First Registration 2000 / 4 M	Displacement 2000 cc	Type · Door 4D	Grade GSR Evolution 6 Tommi Makinen Edition		2WD · 4WD	Interior Score	C
	Engine Model : 4G63		Engine : NA / TURBO		Model No. : 09027		Classification No. : 0076	

Inspection Valid (Shaken) : X			Shift Type 5F		OEM Parts	S R	OEM AW	P S	P W
Mileage 1 2 1 , 7 6 0 Km Mile *			AC Type	AAC	Passenger 5 Seater				
Body Color	Base Color WHITE	Color Change →	Color Code : W83		Maintenance Book	Y · N	Recycling 11,630 JPY		
Fuel	Gasoline Diesel Fuel · ()		Interior Color : BLACK/RED						

◎ Specification		
Additional aftermarket meter : Water temp /		
Oil temp / Oil pressure / Boost gauge		
Aftermarket 260km speedometer		
HPI air cleaner		
TEIN coilover		

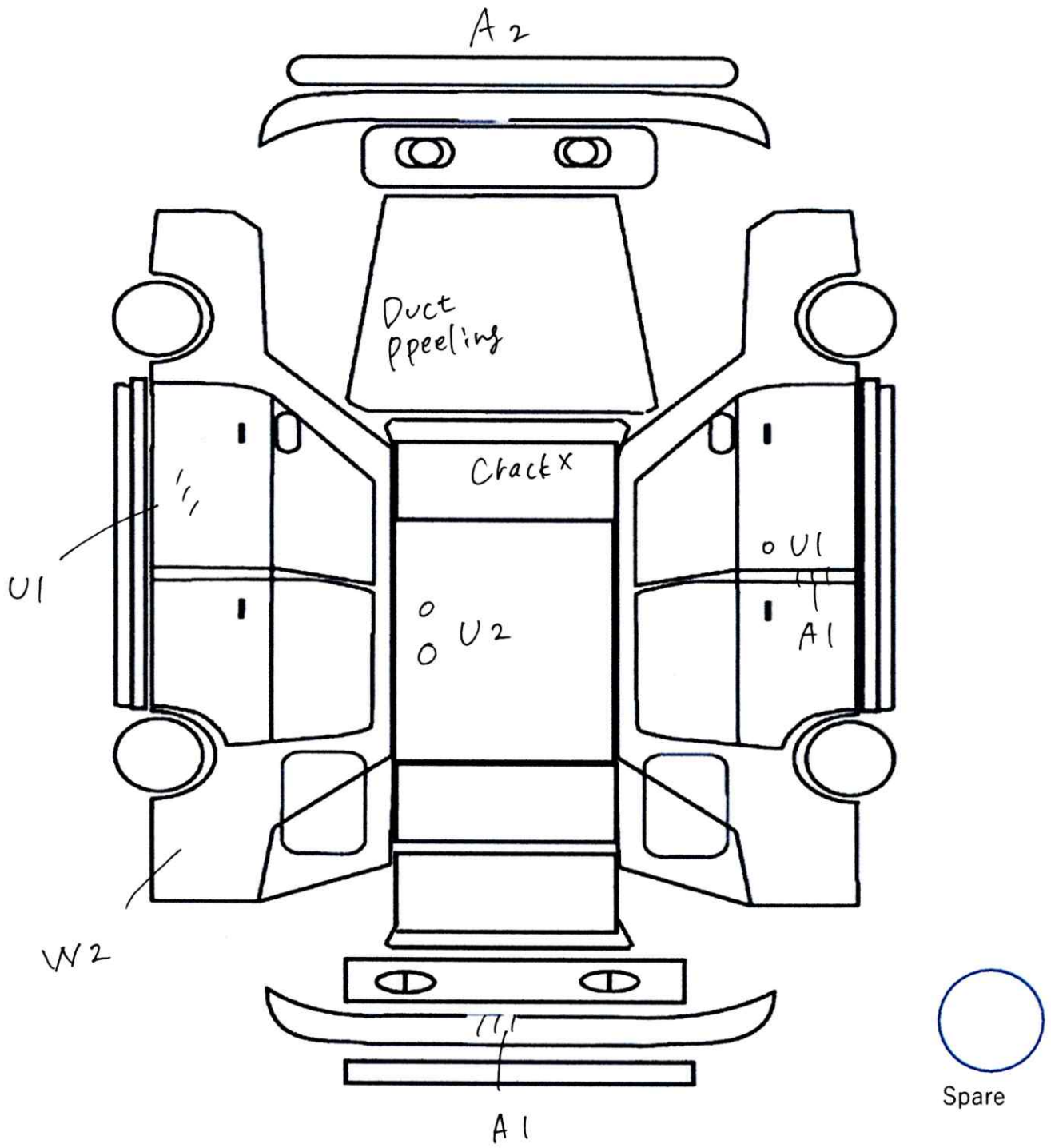
◎Trust Kikaku Inspecton Report		
Has distortion on left front instrument panel.		
Car underbody is rusty.		
Modified odometer car.		
Paint is not grossy.		
Seat has scuffs.		
Has scuffs and peeling on steering wheel.		
Liner has peeled off area.		
Has scratches and dent overall.		

DEFECT REPORT

☉ Scar • Dent • Repair Part	☉ Electronic
Headlight has yellowing.	There is no problem.
Exteriors are discolored.	
Doors has dent on both sides.	
Has huge dent on roof.	
Melting around muffler tip.	
Has small scratches and marks of touch ups.	

OTHER**RECOMMEND POINT**

Driver's seat has scuffs and worn.	Rare Tommy Makinen Edition.
Liner on driver's seat side has peeled off area.	Nothing wrong with engine.
	Good for restore base.



A	Scar
U	Dent
B	Scar & Dent
P	Repaint Required
W	Repair Mark
S	Rust
C	Corrosion
G	Stone Chip
X	Replacement required
XX	Replaced

4308