



Vehicle Report

Specification

No. 4652	Make NISSAN		Vehicle SKYLINE		Model E-ECR33		Score R	
	First Registration 1996 / 2 M	Displacement 2500 cc	Type · Door 2D		Grade GTS25t TYPE M	2WD	Interior Score C	
	Engine Model : RB25DET		Engine : NA / TURBO		Model No. : 07396	Classification No. : 0122		

Inspection Valid (Shaken) : X			Shift Type 5F		OEM Parts	S R Leather Seat	OEM AW T V	P S Navi	P W Airbag
Mileage	1 5 8 , 7 7 0	Km Mile	AC Type	AAC	Passenger 2 Seater				
Body Color	Base Color WHITE → Color Change PURPLE	Color Code :	Maintenance Book	Y · N	Recycling 12,150 JPY				
Fuel	Gasoline Diesel Fuel · ()	Interior Color : K							

◎ Specification		
BCNR33 Headlight, F bumper, F fender & Hood.		
R fender has panel beating		
Aftermarket Side Step, R bumper.		
HKS Muffler		
APEX Aluminum Radiator, Boost gauge, AVC-R		
Greddy Oil Catch Tank, Shift knob		
Aftermarket Air Cleaner		
Aftermarket Coilovers		
Aftermarket Cross flow inter cooler		
Aftermarket Full Bucket Seats		
SUPER CAT Radar Detector		
ECLIPSE Audio		
Aftermarket 16 Inch Aluminum Wheel		

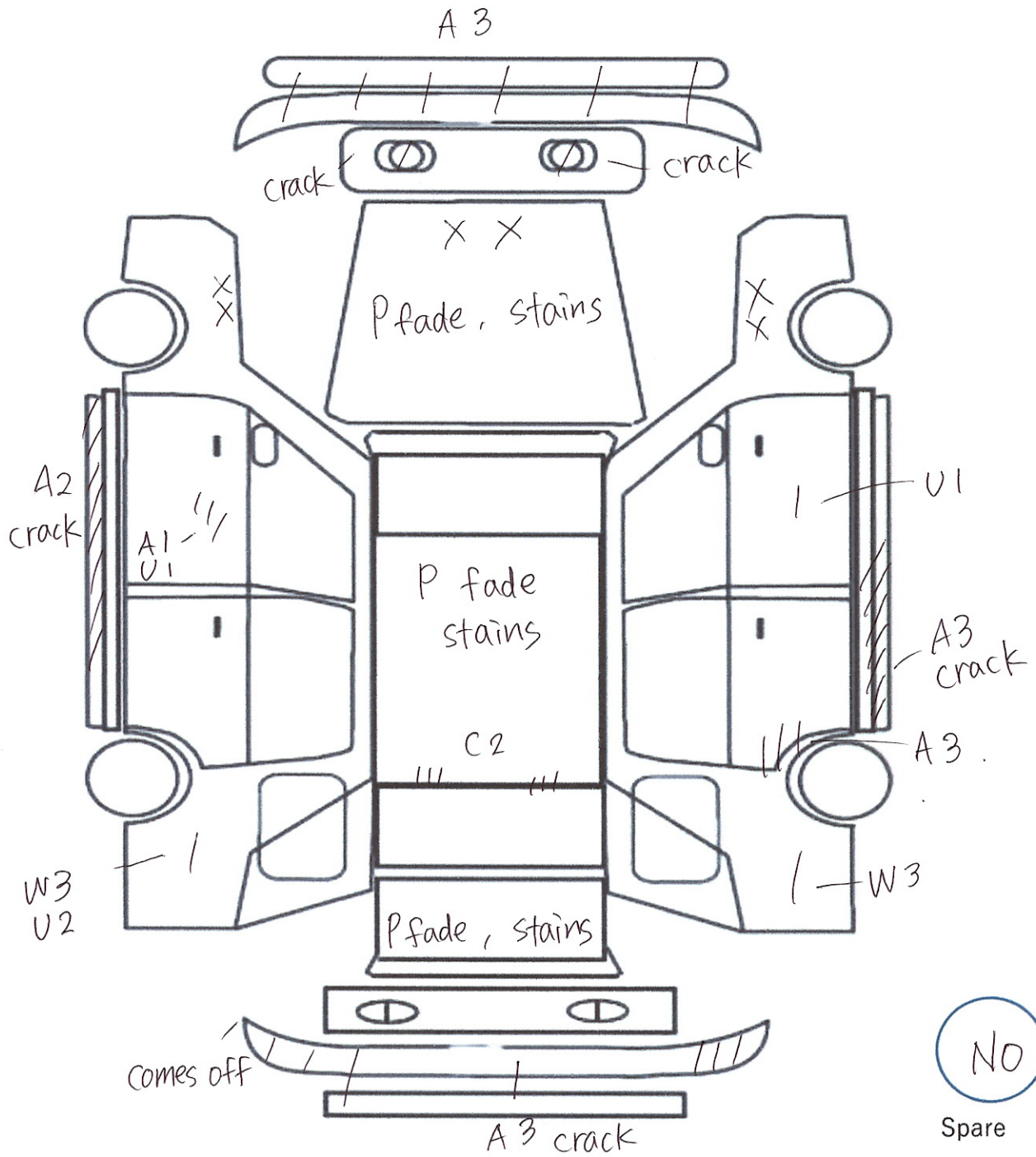
◎Trust Kikaku Inspection Report		
Car underbody is rusty and has corrosion.		
Has cracks on right power window panel.	Tachometer is not working.	
Has stains, scuffs and tear on R&L seats.	AC is not working.	
Has modified mark and cracks on headlight.	Front suspension has distortion.	
Battery needs replacement.	Right F instrument panel and side member	
APEX AVC-R is broken.	has sheet metal marks.	
Radar Detector is not working.	Core support and F support are displaced.	
Audio is not working.		
Left door is not open and shut smoothly.		
Engine is not in good condition.		

DEFECT REPORT

◎ Scar • Dent • Repir Part	◎ Electronic
Has cracks on right power window panel.	Battery need replacement.
Has scuffs, tear and stains on R & L seats.	APEXi AVCR is not working.
Has cracks and modified marks on F bumper.	Super Cat radar detector is not working.
Ha scratches and paint peeling on door mirrors.	Audio is not working.
Headlights has cracks and modified marks.	Tachometer is not working.
Has stains and paint bubbling on roof.	AC is not working.
Has scratches on left door.	
Has cracks, stains and scratches on side step.	
Has color fade and scratches around R rear fender.	
R bumper has cracks, scratches and comes off.	

OTHER**RECOMMEND POINT**

R spoiler is discolored.	
R fender is discolored.	
Has scratches and discolor on hood.	
Has scratches and discolor on hood top mold.	
Left door doesn't open and shut smoothly.	
Engine is not in good condition.	
Has sheet metal marks on right F instrument panel	
and side member.	
Core support and F support are replaced.	
Car underbody is rusty and has corrosion.	
F suspention has distortion.	



A	Scar
U	Dent
B	Scar & Dent
P	Repaint Required
W	Repair Mark
S	Rust
C	Corrosion
G	Stone Chip
X	Replacement required
XX	Replaced