



Vehicle Report

Specification

No. 4551	Make NISSAN	Vehicle SKYLINE	Model E-ECR33		Score RA	
	First Registration 1996/9M	Displacement 2500cc	Type · Door 2 D	Grade GTS 25t TYPE M SPEC II	2WD · 4WD	Interior Score C
Engine Model : RB25DET		Engine : NA / TURBO		Model No. : 07396	Classification No. : 0122	

Inspection Valid (Shaken) ×		Shift Type F 5		OEM Parts	S R Leather Seat	OEM AW T V	P S Navi	P W Airbag
Mileage 85,238 <small>Km Mile</small> *			AC Type	AC	Passenger 4 Seater			
Body Color	Base Color WHITE	Color Change →	Color Code : QM1	Maintenance Book	Y · (N)	Recycling 12,150 JPY		
Fuel	Gasoline		Interior Color : K					

◎ Specification		
· NISMO-like Front Bumper	· HKS Valve Controller	
· Aftermarket Side Step	· AUTOGAUGE Boost/ Water Temp/ Oil	
· Aftermarket Rear Bumper	Temp gauge	
· D-MAX Wide Fender	· HKS Power Flow	
· Aftermarket Rear Fender	· Greedy Intercooler & Radiator	
· BCNR33 Speed Meter	· WORK T7R 18 inch	
· BCNR33 Rear Wing	· Aftermarket LSD 2way?	
· Aftermarket Hood		
· BRIDE Semi Bucket Seat		
· Aftermarket Full Bucket Seat		
· Zenki Headlight		
· RAZO Shift Knob & Aluminum Pedal Cover		
· Aftermarket Spin Turn Knob		
· MOMO Trek 35mm		
· RAZO Turbo Timer		

◎ Trust Kikaku Inspection Report		
· Door mirror power folding need adjustment.	· Has rust and dent on jack points.	
· HICAS lamp is lit on.	· Has rust underneath.	
· Has almost jammed on hood pin.	· Has lots of cracks on exterior parts.	
· Has distortion on left rear instrument panel.	· Body color is faded.	
· Lower part rear panel has distortion.		
· Has stains and tear on seat.		
· Interior has stains.		
· Has huge gaps on right & left doors.		

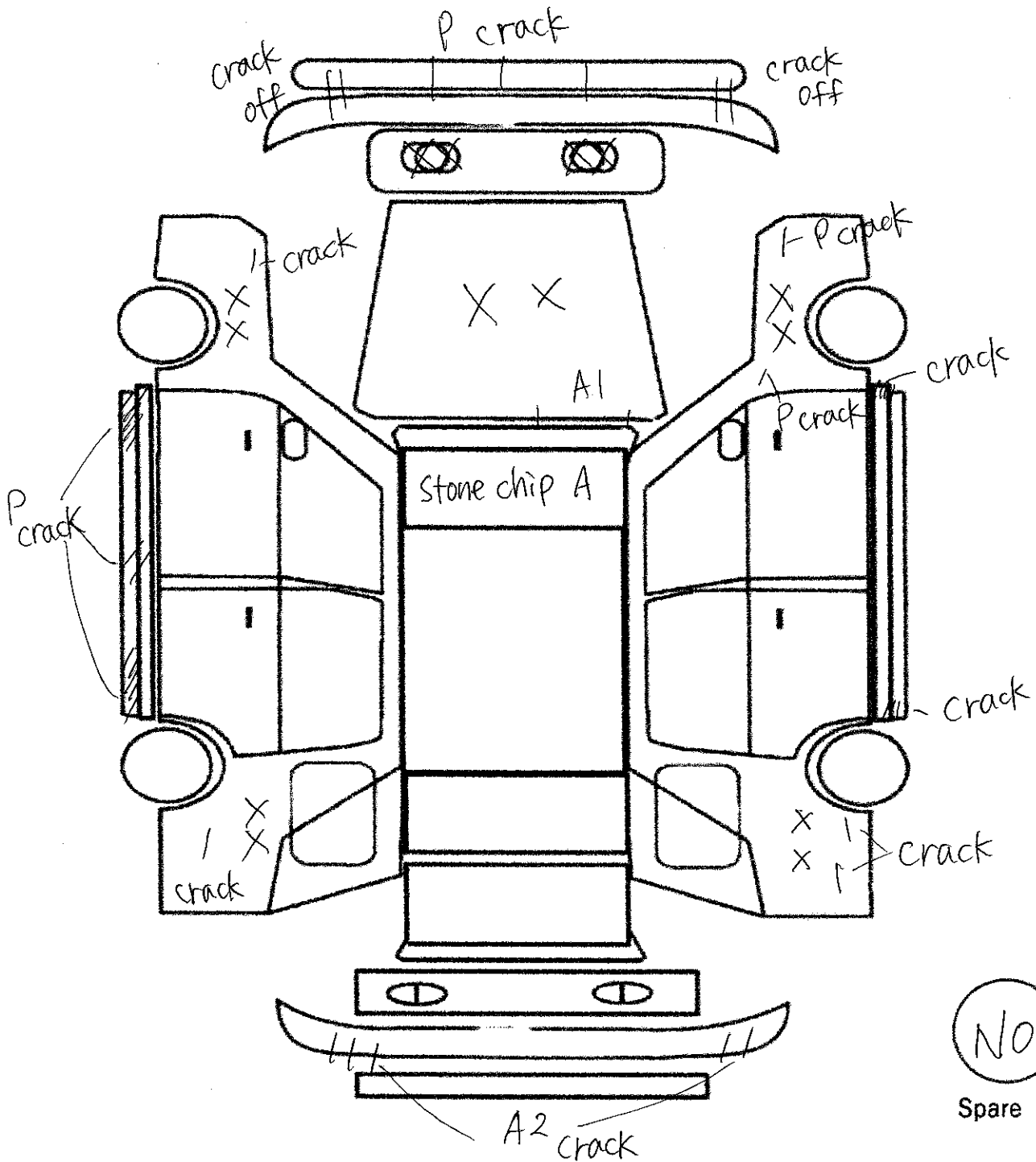
DEFECT REPORT

☉ Scar • Dent • Repair Part	☉ Electronic
• Has lots of cracks on exterior parts.	• Door mirror power folding needs adjustment.
• Has crack on putty on rear fender.	• HICAS lamp is lit on.
• Has distortion on left rear instrument panel.	
• Lower rear panel has distortion.	
• Has repair record on rear.	
• Both end of front bumper are off.	
• Grille part is off.	
• Has almost jammed on hood pin.	
•	
•	
•	

OTHER

RECOMMEND POINT

• Has tear, worn and stains on seat.	• OEM 5 speed turbo!
• A/C panel is relocated to globe box.	• Aftermarket LSD installed!
• Has scratches and color faded on steering wheel.	• How about having this car for drift-use?
• Interior has stains.	
• Has huge gaps on right & left doors.	
• Has rust underneath,	
• Has rust and dent on jack points.	



A	Scar
U	Dent
B	Scar & Dent
P	Repaint Required
W	Repair Mark
S	Rust
C	Corrosion
G	Stone Chip
X	Replacement required
XX	Replaced

4551