

Vehicle Report

No. 5183	Make MITSUBISHI	Vehicle LANCER EVOLUTION III	Model E-CE9A	Type/Door 4D	Score R
	First Registration 1995 / 2 <small>M</small>	Displacement 2,000 <small>cc</small>	Grade GSR	4WD	

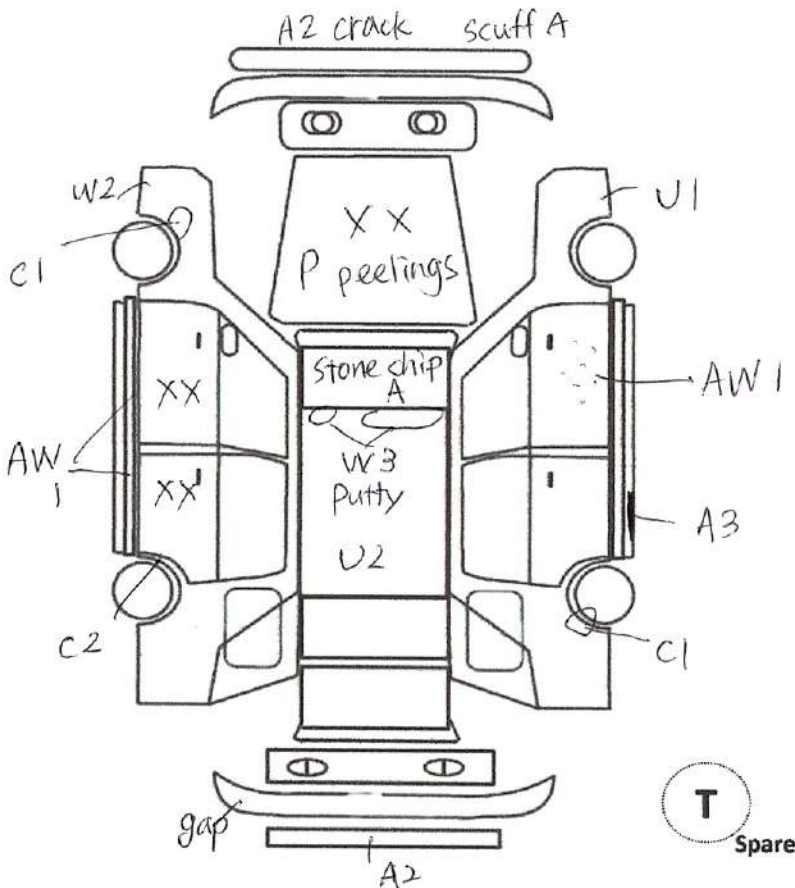
Specification

Inspection Valid (Shaken)	X	Y	X	M	Shift Type F5
Mileage	1 9 2 , 6 2 1 km				AC Type AC
Body Color	Base Color WHITE	Color Change →	Color Code W83		
Fuel	Gasoline		Interior Color GLAY		Maintenance Book NO
Recycling Deposit	9,070 <small>JPY</small>		Passenger 5 <small>Seater</small>		

OEM PARTS	S	R	OEM AW	P	S	P	W
	Leather Seat		T V	Navi		Airbag	

◎ Specification

- ARC Titanium Heat Shield Plate
- Mine's VX ROM
- Excedy Reinforcement Clutch
- Cusco LSD (Front)
- Rebuilt Alternator
- Dangun Racing White Meter Panel
- XYZ make Full Tap Coilovers
- Aftermarket Oil Cooler
- TMW 19 Inch Aluminum Wheel
- MOMO Steering Wheel
- Ralliart Shift Boot
- Ralliart Front & Rear Tower Bar
- Aftermarket Air Cleaner
- Aftermarket Engine Torque Damper
- NGK Plug Code
- Aftermarket Tail Lamp



✓ Trust Kikaku Inspection Report

- Has scratches and marks of repair all over.
- Has worn and stains on interior.
- Left side has repair record.
- Car underneath is rusty.
- Engine bay is rusty.
- Rear fender is rusty.
- Maintenance record: 2009/2010/2011/2012 2014/2015/2016/2017/2019.

A	Scar	S	Rust
U	Dent	C	Corrosion
B	Scratche & Dent	G	Stone Chip
P	Repaint Required	X	Replacement Required
W	Repair Mark	XX	Replaced

Engine	4G63
NA/TURBO	TURBO
Model No.	07576
Classification No.	0020

DEFECT REPORT

© Scar • Dent • Repair Part

© Electronic

• Has scuffs and cracks on front lip spoiler.

• Power mirror not working.

• Has scratches on driver's seat side door.

• A/C not working.

• Door mirror on driver's seat side has scratches.

• Audio is not working.

• Has paint color faded on hood.

• Roof is rusty and has marks of repair with putty.

• Has scratches and cracks on rear bumper.

• Left & right rear fender are rusty.

• Has scratches on passenger's seat side.

• Has scratches on passenger's seat side door.

OTHER**RECOMMEND POINT**

• 1995 year model Lancer Evolution III! White color!

• Many aftermarket parts!

• Mine's XV ROM installed! Good Engine!

• Cusco make LSD installed! No abnormal sound from transmission.

• Rare parts like Ralliart make Tower Bar, installed!

• Comes with maintenance record, one owner car!

• Light, compact and powerful Lancer Evolution!

• Don't miss this chance!