

Vehicle Report

No. 5197	Make NISSAN	Vehicle SKYLINE	Model E-BNR32	Type/Door 2D	Score 3
	First Registration 1992 / 7 M	Displacement 2,600 cc	Grade GT-R	4WD	

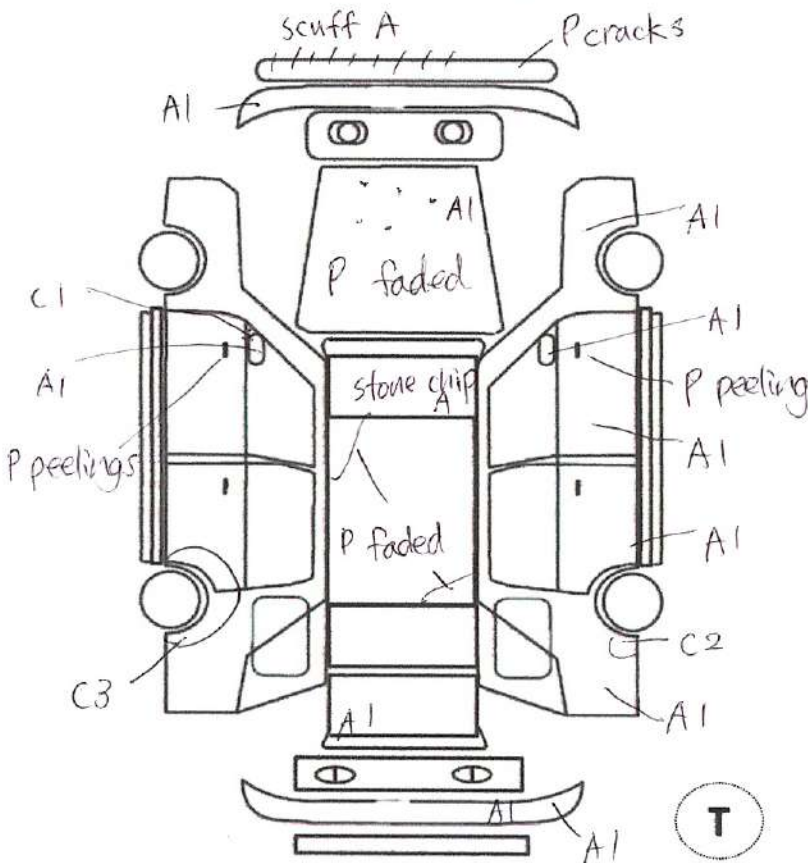
Specification

Inspection Valid (Shaken)	X	Y	X	M	Shift Type F5
Mileage	180,563 km *			AC Type	AAC
Body Color	Base Color SILVER	Color Change →	Color Code KL0	Fuel Gasoline	Interior Color G
Recycling Deposit	9,630 JPY		Passenger	4 Seater	

OEM PARTS	S R Leather Seat	OEM AW T V	P S Navi	P W Airbag
-----------	---------------------	----------------------	--------------------	----------------------

◎ Specification

- BNR34 OEM Injector
- Aftermarket Rear Speaker



✓ Trust Kikaku Inspection Report

- Has scratches all over.
- Both rear fender has corrossions.
- All jack points are dent.

A	Scar	S	Rust
U	Dent	C	Corrosion
B	Scratche & Dent	G	Stone Chip
P	Repaint Required	X	Replacement Required
W	Repair Mark	XX	Replaced

Engine	RB26DETT
NA/TURBO	TURBO
Model No.	06134
Classification No.	0015

DEFECT REPORT

© Scar • Dent • Repair Part

© Electronic

• Has cracks and scuffs underneath the F lip spoiler.

• A/C is not working.

• Has paint fade and scratches on hood.

• A/C panel is not working partially.

• Has stone chip on windshield.

• Some bulbs inside the meter are burn out.

• Has paint color fade on roof.

• Light switch is shaky.

• Right side door mirror and door handle has scratches.

• Both rear fenders are rusty.

• Rear bumper has scratches.

• Left side door has scratches and rusty spots.

• Left side door handle has scratches.

OTHER**RECOMMEND POINT**

• Rare! Fully normal 1992 BNR32 GT-R!!

• Popular color KL0 Jet Silver!

• Injector for BNR34 installed!

• Good condition engine! No abnormal sound or shake.

• Shift smoothly!

• Rare! Dashboard has no warp!

• OEM Audio installed! Satelite switch is working!

• Wearing OEM wheels! Less scratches!

• Popular Kouki silver BNR32!

• Very rare to find fully normal car like this!

• Don't miss this chance!