

## Vehicle Report

No. <b>5453</b>	Make <b>NISSAN</b>	Vehicle <b>FAIRLADY Z</b>	Model <b>E-Z32</b>	Type/Door <b>2D</b>	Score <b>3</b>
	First Registration <b>1990 / 7</b> M	Displacement <b>3,000</b> cc	Grade <b>2 SEATER T-BAR ROOF</b>	<b>2WD</b>	

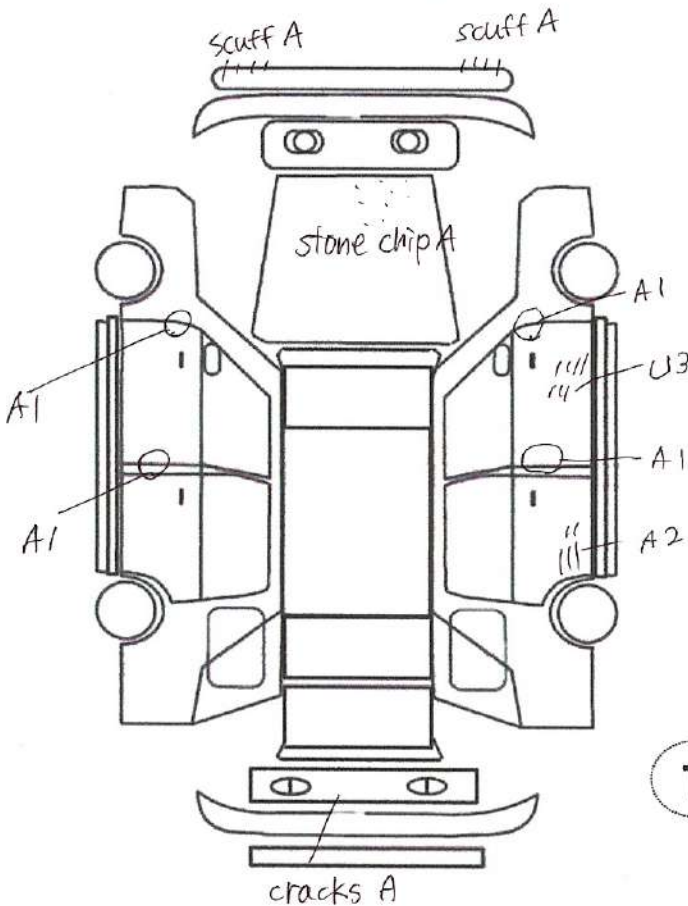
### Specification

Inspection Valid (Shaken)	<b>X</b>	<b>Y</b>	<b>X</b>	<b>M</b>	Shift Type <b>F5</b>
Mileage	<b>1 0 2 , 1 5 0 km</b>				AC Type <b>AAC</b>
Body Color	Base Color <b>RED</b>	Color Change <b>→ RED</b>	Color Code		
Fuel	<b>Gasoline</b>		Interior Color <b>RED</b>		
Recycling Deposit	<b>10,530</b> JPY		Passenger <b>2</b> Seater		

OEM PARTS	S R	OEM AW	P S	P W
	Leather Seat	T V	Navi	Airbag

### ◎ Specification

- AUTOSTRADA MODENA 17Inch
- Aftermarket Suspension
- Aftermarket Muffler
- Aftermarket Clear Indicator
- Aftermarket Clear Tail Lens
- Aftermarket Gull Wing Door Kit
- ZONE Radiator Cooling Panel
- ZONE Original Tower Bar
- LONZA Oil Filler Cap
- AUTO GAUGE Water Temp & Oil Temp Meter
- ZONE Audio Panel
- ZONE Power Steering Wheel Switch Panel
- NISMO 300KM Full Scale Meter



### ✓ Trust Kikaku Inspection Report

- Repainted in different red color.
- Interior is reupholstered.
- Less rusty on car undercarriage.

A	Scar	S	Rust
U	Dent	C	Corrosion
B	Scratche & Dent	G	Stone Chip
P	Repaint Required	X	Replacement Required
W	Repair Mark	XX	Replaced

Engine	VG30DE
NA/TURBO	NA
Model No.	06195
Classification No.	0004

**DEFECT REPORT**

© Scar • Dent • Repir Part

© Electronic

- Lower area of front bumper has scuffs.
- Both door tip has paint cracks.
- Has dent and scartches on right side door.
- Right rear fender has scratches.
- Has cracks on rear tail lens.

**OTHER****RECOMMEND POINT**

- Popular Z32 T-bar Roof 2 seater!!
- Popular Wheel! Modena 17 Inch, looks cool!
- Painting has no huge deterioration on exterior!
- Aftermarket Lamborghini style door kit installed!
- Aftermarket suspension installed!
- Mostly reupholstered on interior!
- Engine is in good condition! Rev up OK!
- NA Engine but 3.0 L and has enough torque!
- No deterioration on roof area and moldings.
- T-bar area can be removed without problem.
- Nicely tuned on both exterior and interior!

5453