



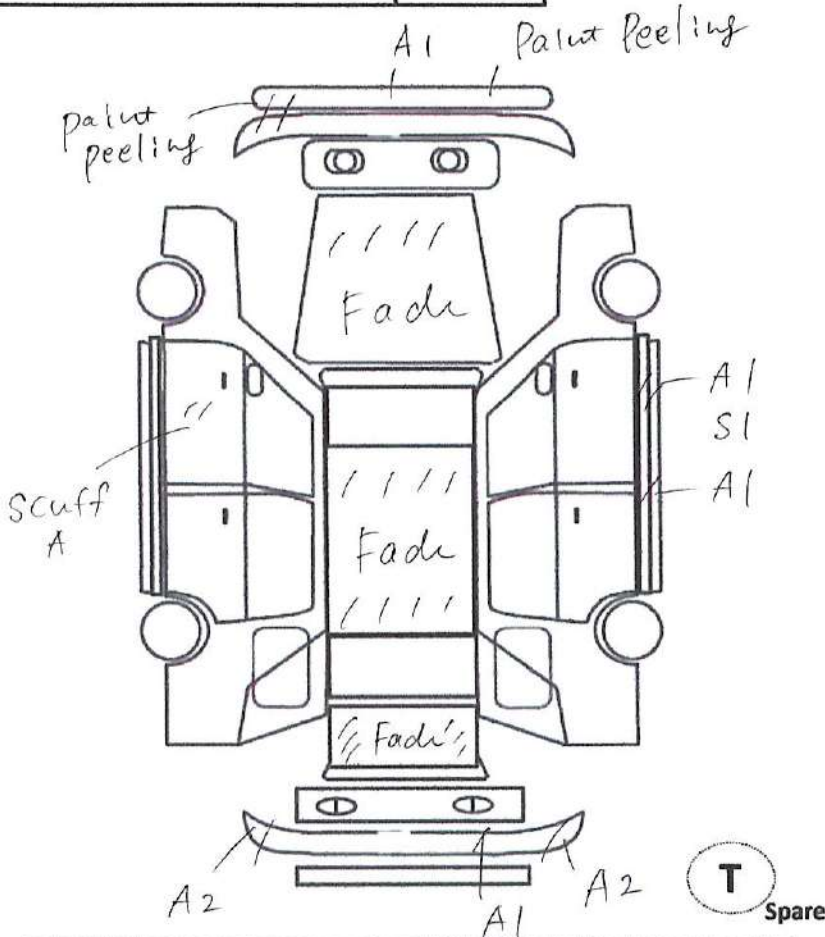
Vehicle Report

Specification

No. 5518	Make NISSAN	Vehicle SKYLINE	Model E-HR31	Type/Door 2D	Score 2.5
	First Registration 1988 / 7 M	Displacement 2,000 cc	Grade GTS-X	2WD	

Inspection Valid (Shaken)	X	Y	X	M	Shift Type AT
Mileage	93,751 km				AC Type AC
Body Color	Base Color Dark Blue	Color Change →	Color Code 543		
Fuel	Gasoline		Interior Color Gray		Recycling Deposit 7,650 JPY
Passenger 4 Seater					

OEM PARTS	S R Leather Seat	OEM AW T V	P S Navi	P W Airbag
<p>◎ Specification</p> <ul style="list-style-type: none"> • WATANABE 16Inch Wheels • Aftermarket Suspension • CUSCO Strut Bar • Aftermarket Muffler • CARROZZERIA 1DIN Audio • litalvolanti Steering Wheel 				



A	Scar	S	Rust
U	Dent	C	Corrosion
B	Scratche & Dent	G	Stone Chip
P	Repaint Required	X	Replacement Required
W	Repair Mark	XX	Replaced

<p>✓ Trust Kikaku Inspection Report</p> <ul style="list-style-type: none"> • Has stains and scuffs on interior. • Auto spoiler switch relocated. • Suspension stiffness adjustment not working. (Due to replacement of aftermarket parts) • Wing mounting holes at the trunk 	
Engine	RB20DET
NA/TURBO	TURBO
Model No.	05245
Classification No.	0216

DEFECT REPORT

© Scar · Dent · Repir Part

© Electronic

- There are paint peelings on the front bumper and lip spoiler.

Air Con does not work.

- Has fade on hood.

- Has scars on the side step of driver side.

- Faded on the roof and the trunk.

- There are scratches and paint peelings on the rear bumper.

- There are scars on the door o passenger side.

OTHER**RECOMMEND POINT**

Symbol of Neo-classic! 1988 HR31 Skyline!

Popular! Watanabe-8-spoke! 16 inches!

With aftermarket suspensions!!

Auto spoiler works well!

Interior is good for its age!

No major damage or cracks!

No problems with normal driving!