

## Vehicle Report

### Specification

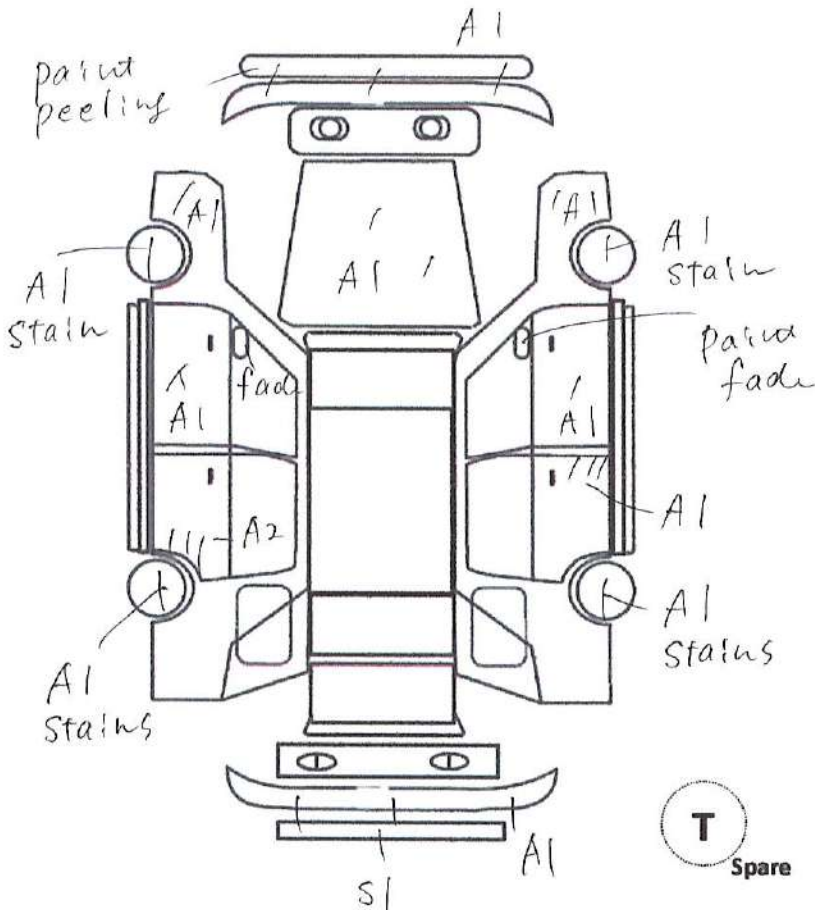
No. <b>5540</b>	Make <b>NISSAN</b>	Vehicle <b>LAUREL</b>	Model <b>E-GC35-KAI</b>	Type/Door <b>4D</b>	Score <b>3</b>
	First Registration <b>1997 / 11</b> M	Displacement <b>2500</b> cc	Grade <b>CLUB S</b>	<b>2WD</b>	

Inspection Valid (Shaken)	<b>X</b>	<b>Y</b>	<b>X</b>	<b>M</b>	Shift Type <b>F5</b>
Mileage	<b>1 4 8 , 5 9 2 km</b>				AC Type <b>AAC</b>
Body Color	Base Color <b>Navy Blue</b>	Color Change <b>→</b>	Color Code <b>KJ6</b>		
Fuel	<b>Gasoline</b>		Interior Color <b>BLACK</b>		
Recycling Deposit	<b>12,920</b> JPY		Passenger <b>5</b> Seater		

OEM PARTS	S R	OEM AW	P S	P W
	Leather Seat	T V	Navi	Airbag

◎ Specification

- MT conversion, certified
- Aftermarket Air Cleaner
- TRUST GReddy Front Mounted Intercooler
- RECARO Semi-bucket Seat
- KAKIMOTO-KAI Muffler
- Aftermarket 18Inch Wheel
- Aftermarket Coilovers
- BLITZ SBC



- ✔ Trust Kikaku Inspection Report
- Boost gauge does not work.
  - Engine is not stable and not working well.
  - Has rust underneath.
  - Jack up is cruhed.
  - There are corrosion on trunk moulding.
  - Has scratches and wears on inerior.
  - Faded overall.
  - There are drilled holes on front right inner pane
  - Has rust on back panel.

A	Scar	S	Rust
U	Dent	C	Corrosion
B	Scratche & Dent	G	Stone Chip
P	Repaint Required	X	Replacement Required
W	Repair Mark	XX	Replaced

Engine	RB25DET
NA/TURBO	TURBO
Model No.	08839
Classification No.	0115

**DEFECT REPORT**

© Scar • Dent • Repir Part	© Electronic
• There are scars and stains on the hood.	• Boost Gauge is not working.
• There are scratches and paint peelings on front bumper.	
• Has large scars on the rear left door.	
• Has scars on rear right door.	
• Jack up point is crushed.	

<b>OTHER</b>	<b>RECOMMEND POINT</b>
• Worn and has scratches on interior.	• Club S Grade
• Has corrosion on trnk moulding.	• MT has been replaced!
• Has rust underneath.	
• Engine is not stable, not working well.	
• There are drilld holes on front right inner panel.	
• Has rust on back panel.	
• Fade overall.	