

Vehicle Report

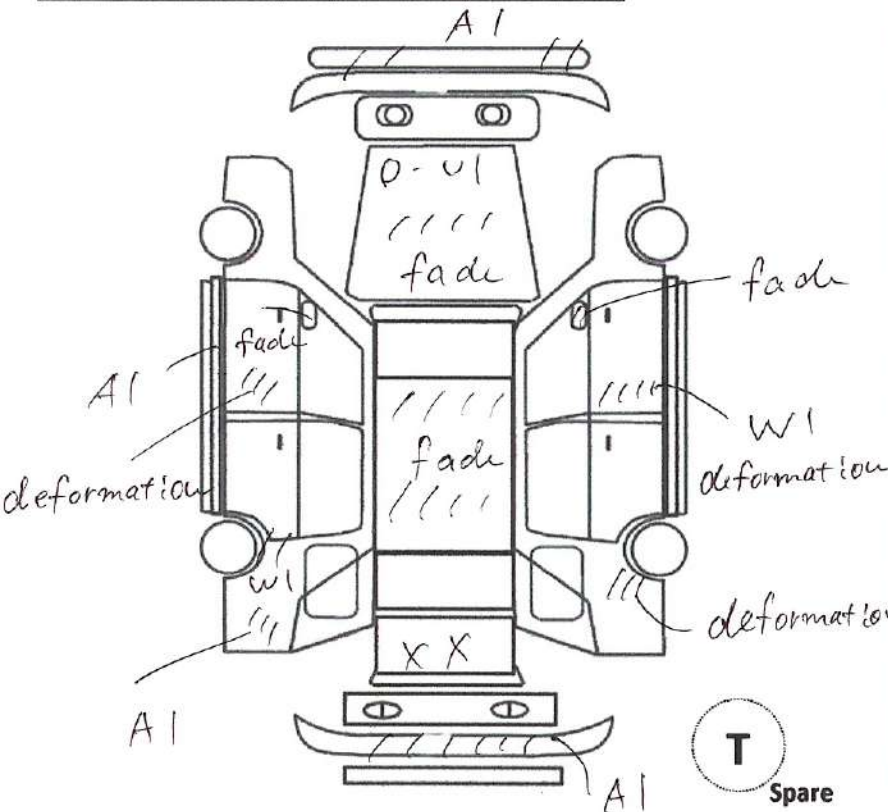
Specification

No. 5603	Make SUBARU	Vehicle IMPREZA	Model GF-GC8	Applied Model Series G	Score 3
	First Registration 2000 / 2 M	Displacement 2000 cc	Grade Type R Sti ver6 Limited	Type/Door 2D 4WD	
Interior Score					B

Inspection Valid (Shaken)	X	Y	X	M	Shift Type F5
Mileage	71,032 km				AC Type AC
Body Color	Base Color Blue	Color Change -	Color Code 74F		
Fuel	Gasoline		Interior Color BLACK		
Recycling Deposit	11,090 JPY		Passenger 5 Seater		

OEM PARTS	S R	OEM AW	P S	P W
Leather Seat		T V	Navi	Airbag

Specification
 PIVOT Speedometer/Tubo Timer
 LAMCO Boost Gauge
 KENWOOD Navi/Audio
 HKS Silent Hi Power Muffler
 Sti Carbon Strut Bar



Trust Kikaku Inspection Report

- Has cuffs and wear on the interior.
- Trunk key cylinder rod is missing.
- The navigation LCD is fading.
- Open/close ventilator is fine.
- Jack up are crushed.
- Changing of DCCD is ok.
- Comes with inspection report.

Engine	EJ20
NA/TURBO	TURBO
Model No.	07175
Classification No.	0461

A	Scar	S	Rust
U	Dent	C	Corrosion
B	Scratch & Dent	G	Stone Chip
P	Repaint Required	X	Replacement Required
W	Repair Mark	XX	Replaced

DEFECT REPORT

© Scar • Dent • Repair Part

© Electronic

- There are dents and fade on the hood.
- Has scratches on the left side of the front fender.
- Has deformation on the doors of both side.
- Has scratches on the side steps.
- Has repair mark on the left side of the rear fender.
- Has scratches on the rear bumper.
- Has deformation on the RH of the rear fender.
- Has scars on the front bumper.

The navigation LCD is fading.

OTHER**RECOMMEND POINT**

- Fade on the roof.
- Has scuffs and wears on the interior.
- Trunk key cylinder rod is missing.
- Fade on side mirrors.

- 2 Door GC8!!
- Engine is working well.
- Changing DCCD is fine!!