

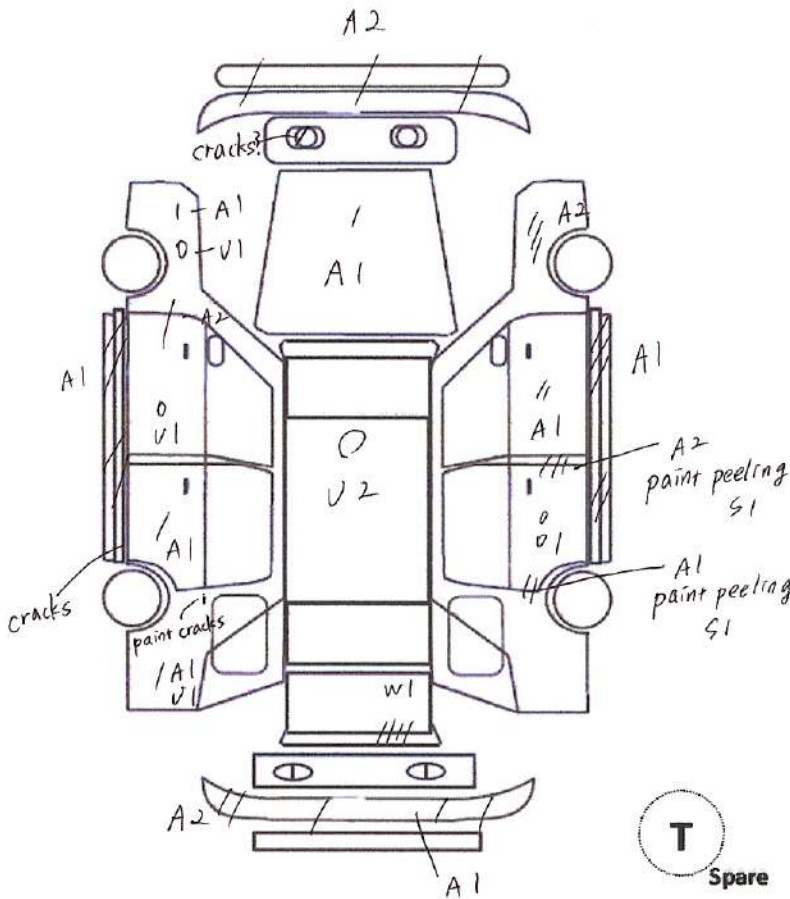
Vehicle Report

Specification

No. 2100001	Make NISSAN	Vehicle SKYLINE	Model E-HCR32	Type/Door 4D	Score 3
	First Registration 1992 / 2 <small>M</small>	Displacement 2000 <small>cc</small>	Grade GTS-T TYPE M	2WD	

Inspection Valid (Shaken) X Y X M	Shift Type F5	
Mileage 295,864 km		AC Type AAC
Body Color BLACK →	Color Change	
Fuel Gasoline	Interior Color GRAY	
Recycling Deposit 9,630 <small>JPY</small>	Passenger 5 <small>Seater</small>	

OEM PARTS	S	R	OEM AW	(P S)	(P W)
	Leather Seat		T V	Navi	Airbag
◎ Specification - Carrozzeria audio - Work emotion T7R 17" aluminum wheel - Aftermarket door mirror					



✓ Trust Kikaku Inspection Report - Has scratches and stains interior - Has rust underneath - Has crush on jack point - Has squeaking sound around suspension on driving - Adjust door mirror manually	
---	--

A	Scar	S	Rust
U	Dent	C	Corrosion
B	Scratche & Dent	G	Stone Chip
P	Repaint Required	X	Replacement Required
W	Repair Mark	XX	Replaced

Engine	RB20DET
NA/TURBO	TURBO
Model No.	06132
Classification No.	0354

DEFECT REPORT

© Scar • Dent • Repair Part

© Electronic

- Has scratches and scuffs on the front bumper
- Has scratches and dent on the left side of front fender
- Has scratches and dent on the left side of front door
- Has scratches on the left side of rear door
- Has scratches and cracks on the left side step
- Has scratches, bent, and paint cracks on the left side of rear fender
- Has fading like repair mark on the trunk
- Has scratches on the rear bumper
- Has dent on the right side of rear door
- Has scratches front and back on the right door
- Has scratches on the right side of front fender
- Has large bent on the roof

- Adjust door mirror manually

OTHER**RECOMMEND POINT**

- Has rust underneath
- Has crush on jack point
- Has scratches and stains interior
- Has cracks on moldings

- Rare 4-door HCR32!
- OEM turbo 5 speed!
- Great for restore base

2100001