

Vehicle Report

Specification

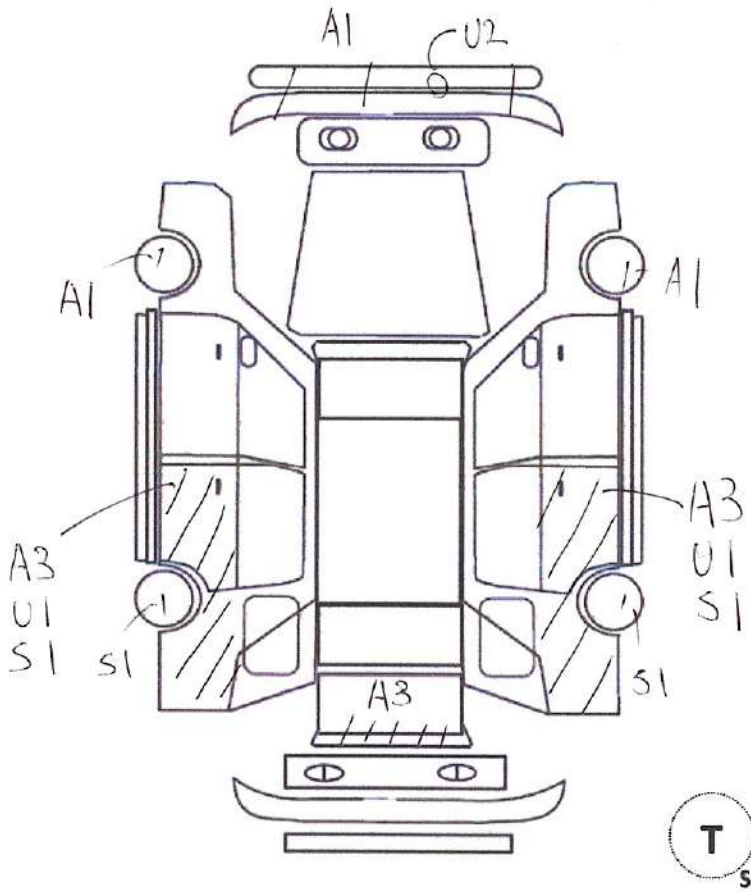
No. 5394	Make MITSUBISHI FUSO	Vehicle Canter	Model PDG-FE70D	Type/Door 2D	Score 3
	First Registration 2010 / 12 M	Displacement 4900 cc	Grade 3t Flat body	2WD	

Inspection Valid (Shaken) R4 Y 1 M	Shift Type F5
Mileage 199,538 km	AC Type AC
Body Color Base Color White → Color Change Color Code	
Fuel Gasoline	Interior Color GRAY
Recycling Deposit 8,930 JPY	Passenger 3 Seater

OEM PARTS	S R	OEM AW	P S	P W
Leather Seat	T V	Navi	Airbag	

◎ Specification

- Jet Inoue Mud Guard
- Aftermarket Leather-like Seat Cover
- Aftermarket Center Table
- Aftermarket Shift Boot



✓ Trust Kikaku Inspection Report

- Maintenance Record
Nov 2012/ Nov 2013/ Dec 2014/ Dec 2015/ Dec 2016/ Dec 2017/ Nov 2018/ Nov 2019
- Please replace clutch disc before use.
- Car undercarriage is rusty.
- The levers for the side gates are rusty and didn't move smoothly.
- Has scratches and stains on interior.

Engine	4M50
NA/TURBO	TURBO
Model No.	-
Classification No.	-

A	Scar	S	Rust
U	Dent	C	Corrosion
B	Scratche & Dent	G	Stone Chip
P	Repaint Required	X	Replacement Required
W	Repair Mark	XX	Replaced

DEFECT REPORT

© Scar • Dent • Repair Part

- Has scratches on front bumper.
- Has many dents on the side gates and rear gate.

© Electronic

OTHER

- Has scratches and stains on interior.
- Side gates and rear gate are rusty.

RECOMMEND POINT

- 3t Flat Body Truck!
- Has some custom parts!